



EXAM **V**ISION™

Your *LED* *light system*

A guide to help you
get maximal performance
from your system

Battery care

The lithium ion battery inside your **Focus Xtend** is covered by our warranty for one year from date of purchase. Follow these useful guidelines, to improve the life expectancy of your battery:

- 1 ▶ The battery is fully charged from the manufacturer.
- 2 ▶ It is healthiest for your battery to keep it more than **30% charged**, and partial charges will not harm your battery.
- 3 ▶ The working time of your battery varies with light intensity. The lowest setting can give you up to **24 hours continuous use**, and the highest approximately 6 hours.
- 4 ▶ When the battery needs charging, the charge indicator will start to blink. Charge the unit at this point.
- 5 ▶ To charge, attach the charger lead to the charger socket. The charge indicator (Bat.) comes on. When the battery is fully charged, the charge indicator will turn off.
- 6 ▶ When your battery is reaching the end of its natural life, after about 500 charges, you will find it will need to be charged more frequently. When this starts to limit your working time, it is time to have the battery replaced in the control unit. Your ExamVision dealer will be able to arrange this procedure.

Operation

Your **Focus Xtend** control unit is operated by pressing the front panel. A short press will activate the unit, and further clicks will cycle the unit through low, medium and high settings. A long press switches the unit off.

The control unit will not activate unless there is a lamp unit plugged in. Focus Xtend is compatible with all ExamVision LED lamps.

Belt Clip

Attach the belt clip to the back of the control unit, if desired, by following the enclosed instructions.

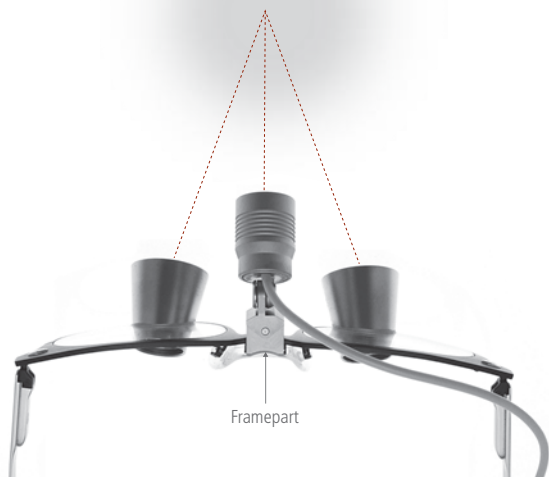
Connect attachment

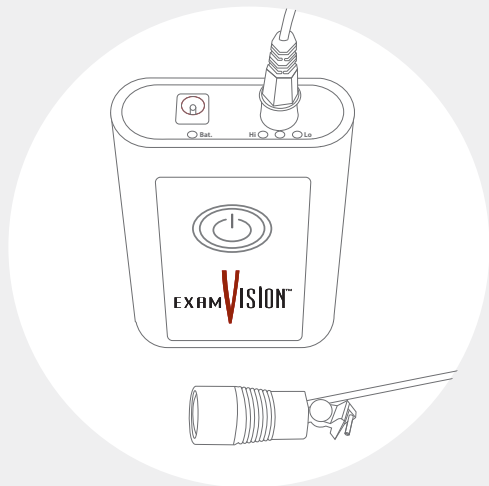
Use the Connect Key to tighten the locking screw of your Connect attachment, if you wish to attach the light tightly to your loupe.



Ensure LED light is centred correctly by focusing on an object and closing first one eye then the other.

If the light is to one side, loosen screws slightly under the framepart and adjust until the light is perfectly central for your vision. Tighten screws.





Cleaning

Cleaning – clean with a soft cloth, and ensure all jacks and connections are free of dust and dirt.

Water resistance – your light & control unit are not designed to be immersed in water. Clean off any splashes immediately to avoid damaging your unit.

Disinfection – use only alcohol-free disinfection products, such as Trionic D (available from your ExamVision dealer).

Do NOT use alcohol-based products, ultrasonic cleaners, autoclave or chemical sterilization.



Feel free to contact your local dealer if you have any further questions
www.exam-vision.com